

Tools needed

Parts involved on your existing lock

1. Secure the front lock

On some doors it can be helpful to put a piece of tape across the lock on the front of the door to prevent it from falling when the screws are removed.

2. Remove the current door lock

First you have to remove the existing thumb turn on the inside of the door.

3. Normal tailpiece length

Most doors have tailpieces that extends 10 mm from the doorplate. They will fit the Danalock without need for any adjustments to their length!

If the tailpiece is less than 10 mm long from the door surface, an extra tailpiece can be found in the Danalock box. (See the next illustration no 4).

The Danalock V3 works with a tailpiece length up to 35 mm at maximum.

If the tailpiece length exceeds 35 mm you will have to shorten it. (See the illustration no 5).

4. Tailpiece too short - insert a new

If the tailpiece is less than 10 mm long you have to remove the plate that holds the tailpiece and replace it with the tailpiece from the Danalock box.

You then need to shorten the new tailpiece after you have mounted the back plate. (See next illustration).

5. Mounting the backplate on the door

Place the back plate where the thumb turn used to be on your door.

The round hole in the middle is for the tailpiece.

Use the 2 screws from the thumb turn to attach the back plate.

6. Give the tailpiece the right length

To avoid damaging the danalock you will have to shorten the new cylinder tailpiece to max. 35 mm from the door surface.

Use two pliers or a wire cutter to shorten the tailpiece.

7. Attach the tailpiece adaptor

Choose the green tailpiece adaptor from the Danalock box and insert the tailpiece adaptor in the center tube on the backside of the Danalock.

Press on the adaptor until a click ensures it is fixed firmly to the Danalock.

8. Fit the tailpiece to the middle of the housing base

Fit the Danalock over the back plate.

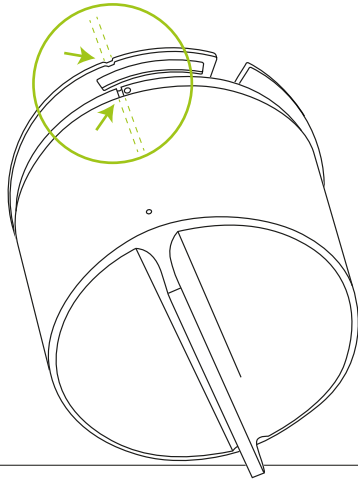
Make sure the tailpiece hits the slide in the middle of the adaptor.



9. Align the platemarks

Find the small marking on the edge of the backplate and align the mark on the back of the Danalock baseplate with it.

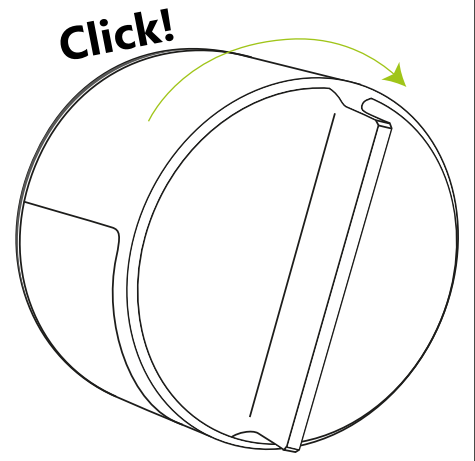
Now you are sure to hit the notches on the backplate with the Danalock.



10. Fasten the Danalock

Turn the Danalock clockwise until it clicks to fasten it to the back plate.

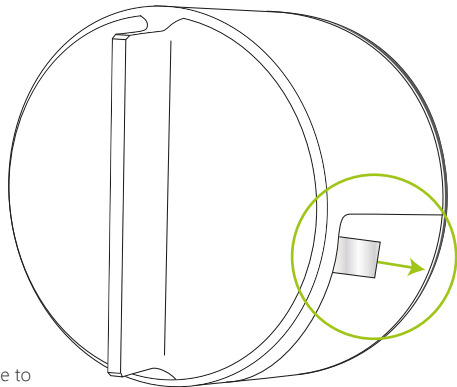
NOTE: If you need to unfasten and retry, see "Uninstall instructions" at the end of the manual.



11. Activate batteries

Pull out the plastic tab to activate the batteries.

A light will flash to confirm the Danalock is ready.

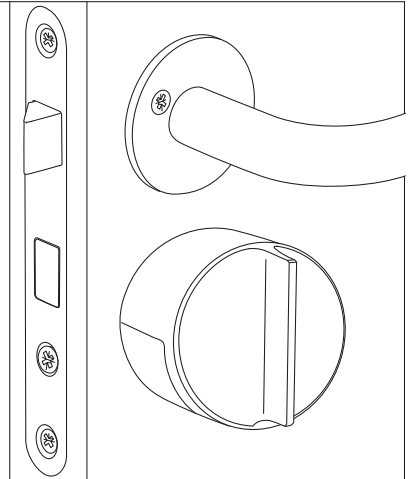


Note: If the batteries are disconnected, you will have to re-calibrate the Danalock.

12. Before downloading the app

Your Danalock is now attached to the door. Download and open the Danalock app to finish setting it up.

Leave the door open, so the lock isn't influenced when calibrated.



13. Download the Danalock App

Go to Google Play or App Store and download the Danalock App.

When the app is installed you create a user profile by pressing the blue ring. You will use this profile each time you sign into the app.

Next you need to press "Menu" in the top right corner, and the press "Add lock".

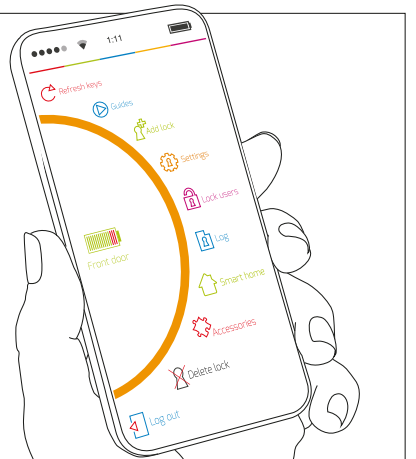
A guide will now lead you through the installation and configuration of your Danalock.



14. Add the lock in the app

Next you need to press "Menu" in the top right corner, and the press "Add lock".

A guide will now lead you through the installation and configuration of your Danalock.



15. Dismount instructions

If at any time you need to dismount the Danalock from your door, insert a pen tip into the hole at the top inner edge of the lock and press while turning the lock counter-clockwise until the lock releases.

This will not reset the lock or disconnect it from your account, but the lock may need to be re-calibrated if fastened to your door again.

